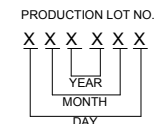
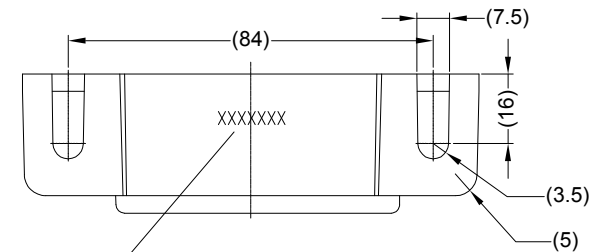
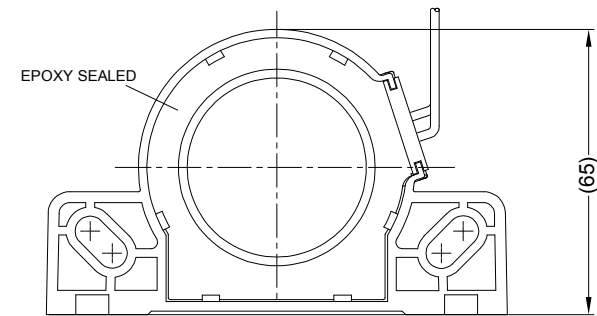
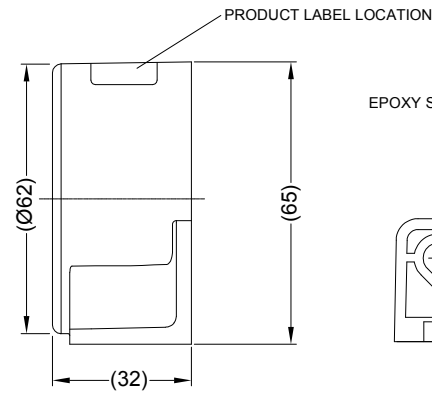
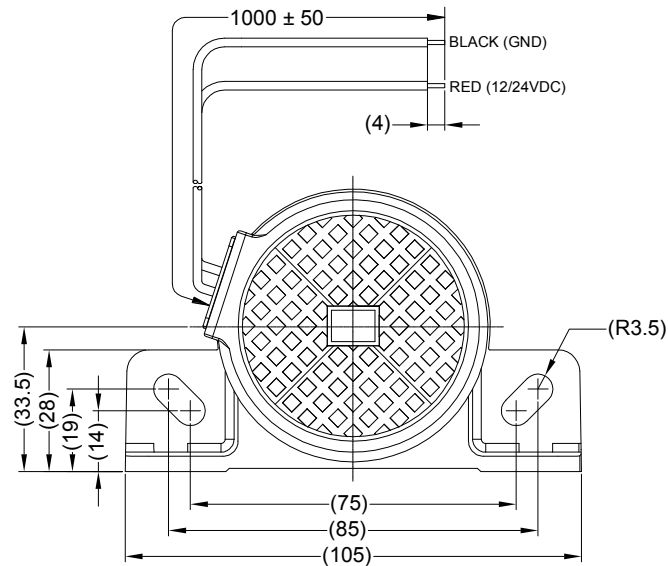


Revision Notes				
R1 - DRAWING UPDATED TO REFLECT PRODUCT.				
APA: -	Drawn: M.BUTLER	Checked: D.KERAI	Approved: S.MATTHEWS	Date: 02/03/10
R2 - DRAWING FRAME UPDATED, DIMENSION TOLERANCES ADDED.				
APA: -	Drawn: M.BUTLER	Checked: -	Approved: -	Date: -
R3 - FRAME UPDATED, NOTES CHANGED TO REFLECT PRODUCT LABEL INFO.				
APA: K.IIDA	Drawn: R.BATES	Checked: G.PLITH	Approved: S.MATTHEWS	Date: 11/04/13
R4 - NOTES UPDATED TO INCLUDE LABEL DETAILS AS PER ECR CR-A274.				
APA: K.IIDA	Drawn: R.BATES	Checked: M.BUTLER	Approved: G.PLITH	Date: 28/08/14



- SPECIFICATION:**
1. RATED VOLTAGE: 12/24 VOLTS DIRECT CURRENT (WORKING VOLTAGE 9 - 32 VOLTS)
 2. RATED CURRENT: 0.3 AMPERES OR LESS.
 3. SOUND PRESSURE: 97±4 DECIBELS AT TEST VOLTAGES OF 14/28 VOLTS (AS MEASURED AT A DISTANCE OF 1.2 METERS AND AT A HEIGHT OF 1.2 METERS ABOVE THE GROUND)
 4. FREQUENCY: 1600±200Hz AT TEST VOLTAGES OF 14/28 VOLTS.
 5. INTERMITTENCE: 80±15 CYCLES PER MINUTE AT TEST VOLTAGES OF 14/28 VOLTS.
 6. DURABILITY: TO BE FREE ABNORMALITY AFTER BEING TESTED FOR 500 HOURS CONTINUOUSLY AT TEST VOLTAGES OF 32 VOLTS.
 7. RANGE OF OPERATING TEMPERATURE GUARANTEED: -40°C ~ +85°.
 8. OTHERS: SAE J994.

- NOTES:**
1. FINISH IS MATT BLACK.
 2. MATERIAL IS PA6 PLASTIC.
 3. FOR PRODUCT LABEL REFER TO LATEST REVISION OF DRAWING BE-002833-XX-14.
 4. FOR GIFTBOX LABEL REFER TO LATEST REVISION OF DRAWING BE-002834-XX-14.
 5. "R TRIANGLE" INDICATES CHANGES MADE TO REVISION OF DRAWING AS IDENTIFIED IN NOTES.

PROPRIETARY NOTICE

THIS DESIGN AND TECHNICAL INFORMATION APPEARING ON THIS DRAWING IS THE PROPERTY OF BRIGADE ELECTRONICS, AND IS DISCLOSED IN CONFIDENCE. IT IS NOT TO BE COPIED, REPRODUCED, REVEALED TO OR EXPROPRIATED BY OTHERS, EITHER IN WHOLE OR IN PART WITHOUT THE EXPRESS WRITTEN CONSENT OF BRIGADE ELECTRONICS.



Assembly Pl Approval K.IIDA - 08/04/13	Approved by S.MATTHEWS	Checked by D.KERAI	Drawn by M.BUTLER
Angle of Projection 	Units mm	Scale N/A	Released 16/07/08
Status RELEASED	BA-560		
Part No 2742	BE-000616-04-08		